



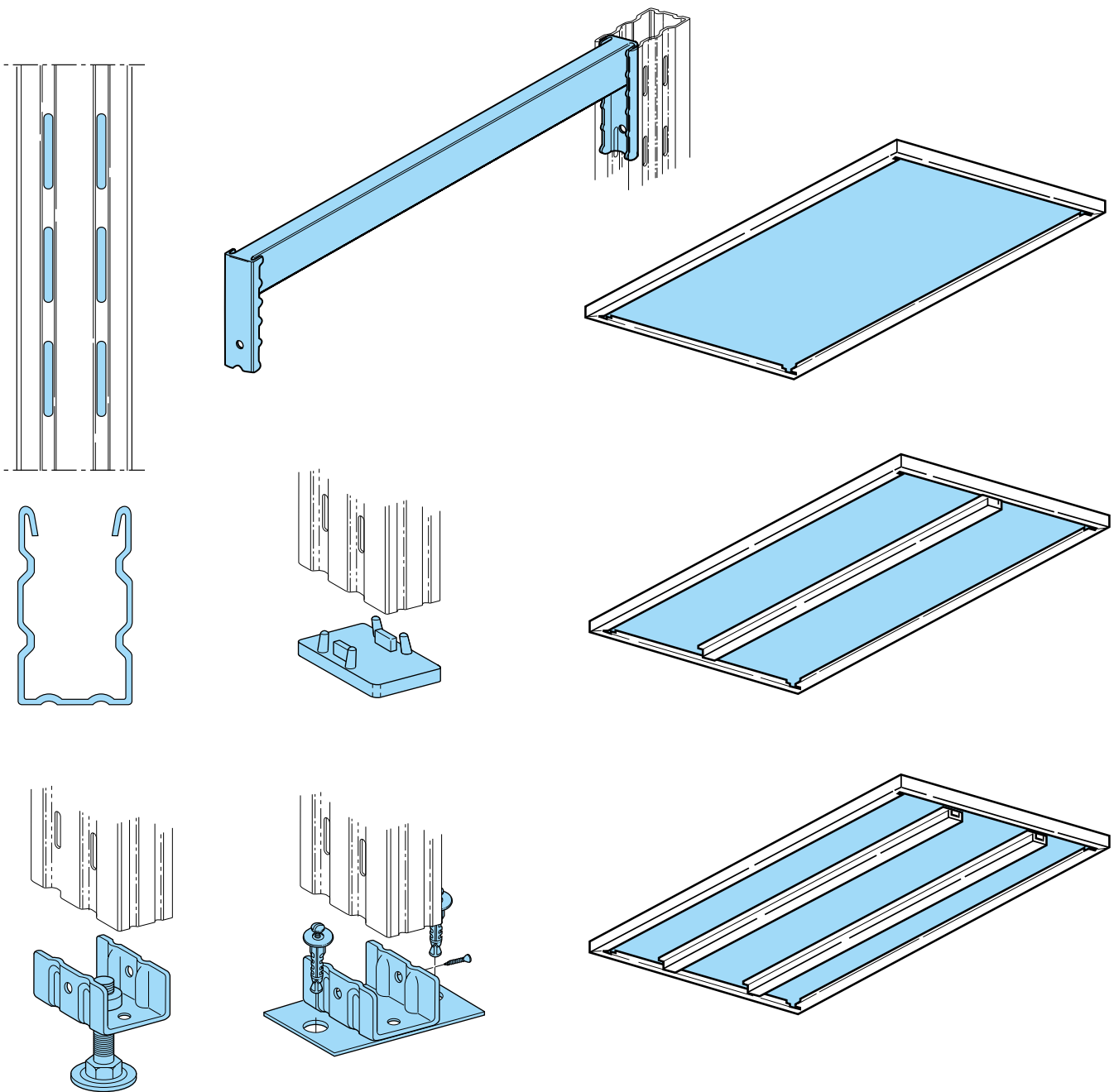
On the Czech market since 1996



TOPZINC SHELF RACKS

The TOPZINC shelf rack system complements the series of metal racks designed for both the industrial and private sector. The TOPZINC system complements these rack systems with a product made of top-class galvanised material that features high stability and long lifetime of the structure. The system is highly adjustable, thus allowing storage of objects of various sizes and weights.

The sophisticated fasteners guarantee fast and easy installation. Thanks to their profile and rigidity, the U-sections of the frame webs enable assembly of rack galleries using the TOPZINC system. The shelves are adjustable at 25-mm intervals and are squared three times in order to ensure maximum stability and save work with the system. The racks can be fitted with optional accessories, such as separators, sheathing, sliding door, etc.



> CHARACTERISTICS

- > Galvanised material
- > Modular system
- > Designed for storing small-sized /documents
- > Screwless version
- > Height adjustable at 25-mm intervals
- > Maximum rack height of 3,500 mm
- > Shelf length of 770 / 870 / 970 / 1,070 / 1,170 / 1,270 mm
- > Shelf depth 300 / 350 / 400 / 500 / 600 / 700 mm
- > Maximum shelf load-bearing capacity of 200 kg
- > Possible assembly of multi-storey gallery

> USE

- > Archives, libraries, registries, warehouses, stores, offices

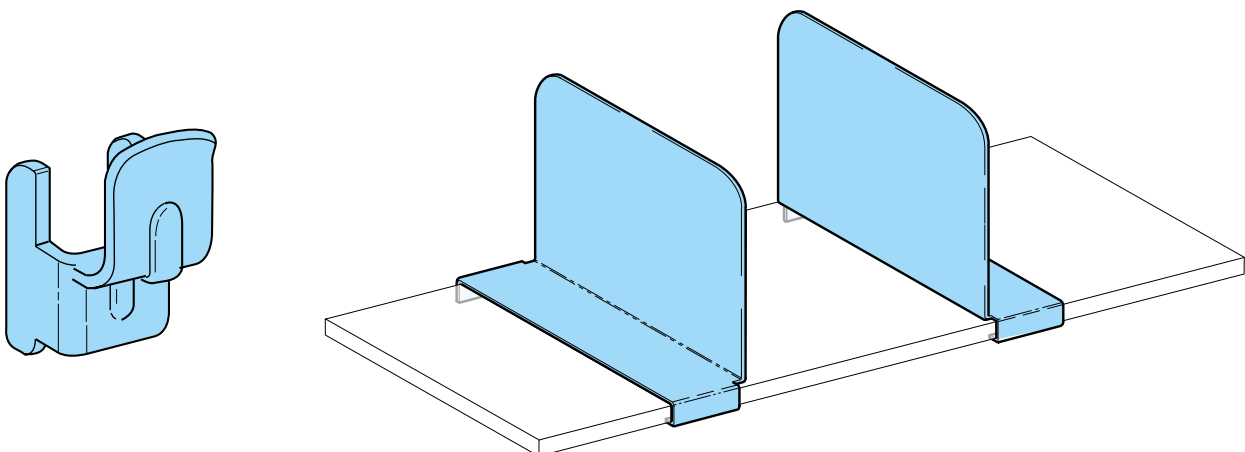
> ADVANTAGES

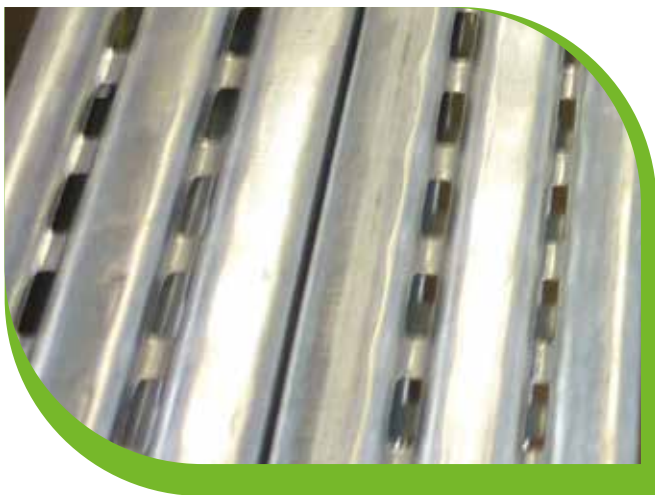
- > Easy installation
- > Easy adjustment
- > Modularity
- > High strength, stability and long lifetime
- > Wide range of accessories
- > Possible application as a mobile rack superstructure
- > We complete installation, servicing and periodical annual inspections

> STRUCTURE

- > Made from frames and shelves
- > Frame made from U-sections perforated at 25-mm intervals, connected with fixed crossbeams
- > Screwless fixing of shelves to frames using hooks
- > Shelves are squared three times

We will design and supply appropriate handling equipment for a specific project





TOPZINC

SHELF RACKS



BRNO • PRAHA • OSTRAVA

Ledárenská 25, 620 00 Brno, phone: +420 537 036 612

Prague office, phone: +420 731 588 367

Ostrava office, phone: +420 739 328 954

e-mail: beg@beg.cz

www.beg.cz